

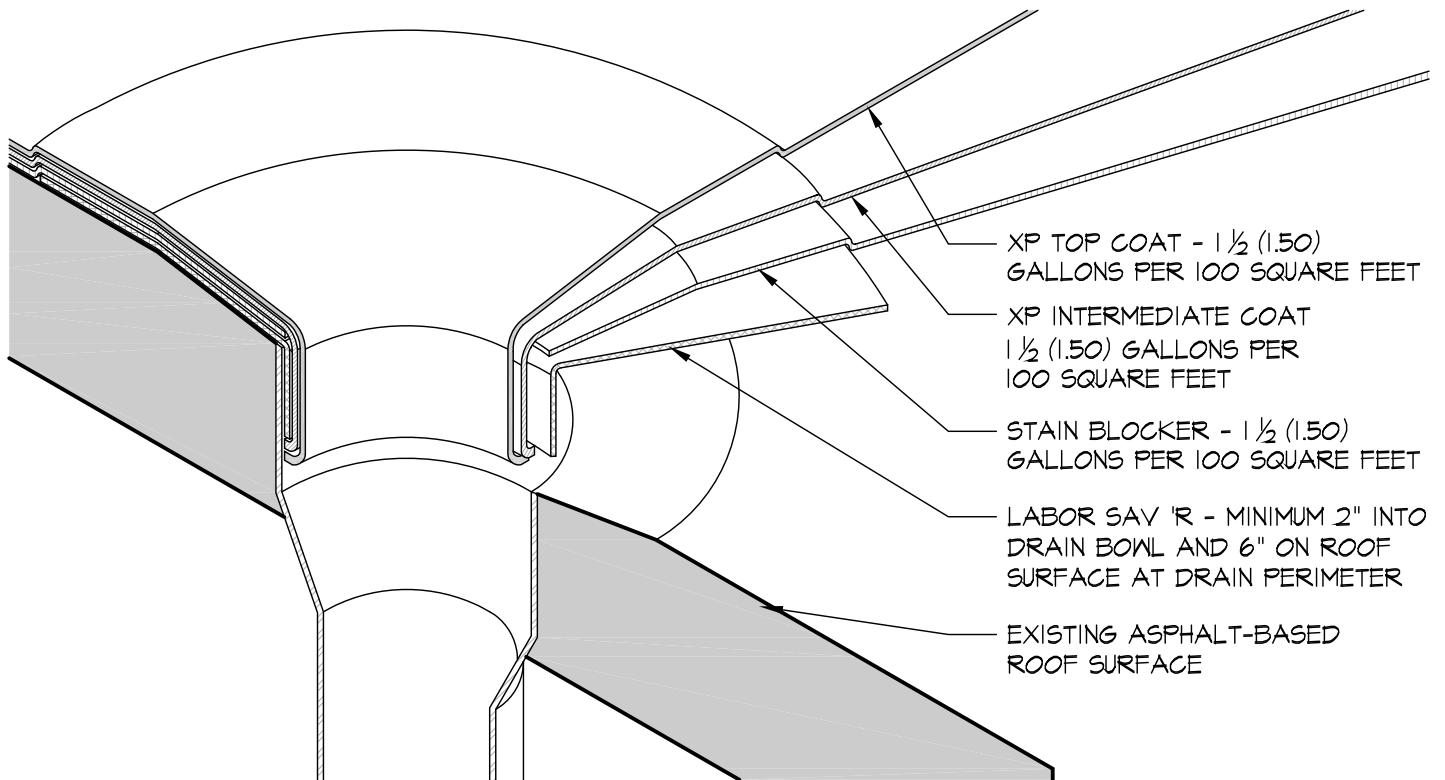


ELASTIKOTE

TM

REPEL
REFLECT
RENEW

Copyright © 2012, Elastikote LLC All Rights Reserved



ELASTIKOTE APPLICATION AT DRAIN

DETAIL FOR APPLICATION ON EXISTING
ASPHALT-BASED ROOFING SYSTEMS

MODIFIED BITUMEN, BUILT-UP ROOFING, COAL TAR PITCH, APP MEMBRANE SYSTEMS